



IB850 Freestanding Unit

Installation Manual

AUSTRALIAN EDITION



Important:

This Freestanding Unit is intended for use with an Escea IB850 Indoor Gas Fire only. You will need to get a 230/240 Volt power supply to the lower back left or right of the Freestanding Unit. You will also need to get a gas supply to the lower back left or right of the Freestanding Unit.

The gas fire appliance shall be installed in accordance with;

- This installation instruction booklet and with the Installation Manuals supplied with your IB850 and Outer Skin Kit
- Local gas fitting regulations
- Municipal building codes
- Electrical wiring regulations
- AS 5601 / AG 601—2000, *Gas installations*
- Any other relevant statutory regulations.
- Must be installed by a qualified person

This appliance is not intended for use by young children or infirm persons unless they have been adequately supervised by a responsible person to ensure that they can use the appliance safely.

Young children should be supervised to ensure that they do not play with the appliance.

Manufactured by: Escea Ltd, PO Box 5277 Dunedin NZ, Ph: +64 3 479 0302, e: info@escea.net

Contents:

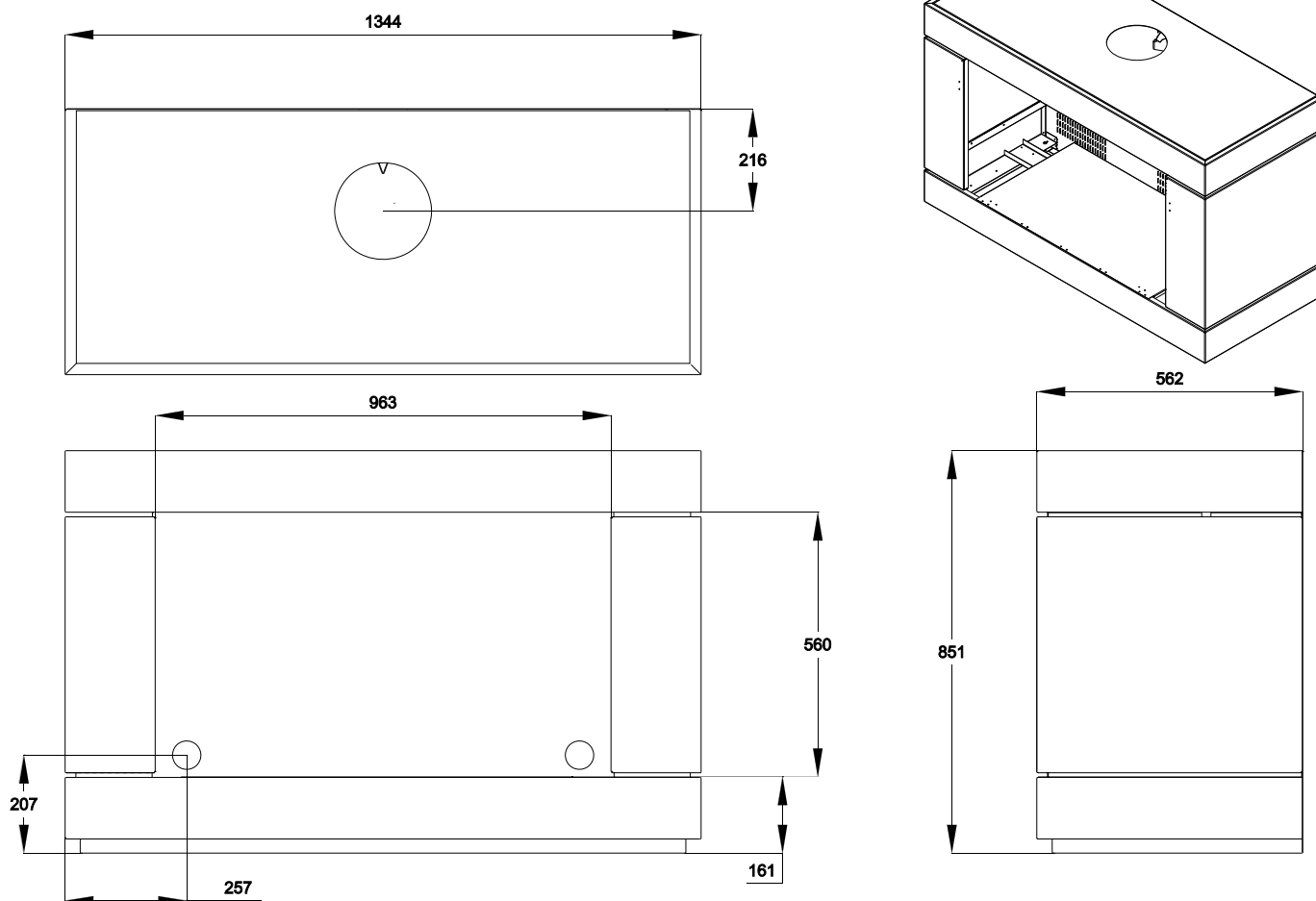
Section:

- Product Description _____ 1.0
- Product Dimensions _____ 2.0
- Installation Notes _____ 3.0

1.0 Product Description:

The Escea IB850 Free Standing Unit is intended only for use with an Escea IB850 Gas Appliance and is designed to provide a free standing cavity suitable for an indoor installation. This Free Standing Unit and IB850 Gas Appliance is **not** to be installed outdoors.

2.0 Product Dimensions:



3.0 Installation Notes



Appliance installation must be carried out in accordance with the Escea IB850 Installation Instructions, Escea IB850 Outer Skin Kit Installation Instructions, Australian Standards AS 5601 / AG 601—2000 Gas Installations and any other relevant building or gas appliance statutory regulations.

The Free Standing Unit **must** be used with an IB850 Outer Skin Kit.

The Free Standing Unit should be assembled and fixed to the floor before the installation of the Outer Skin Kit. Ensure that gas and electricity services to the gas appliance have been taken into account before finalising the Free Standing Unit position.

The following parts are required in order to install your IB850 Free Standing Unit:



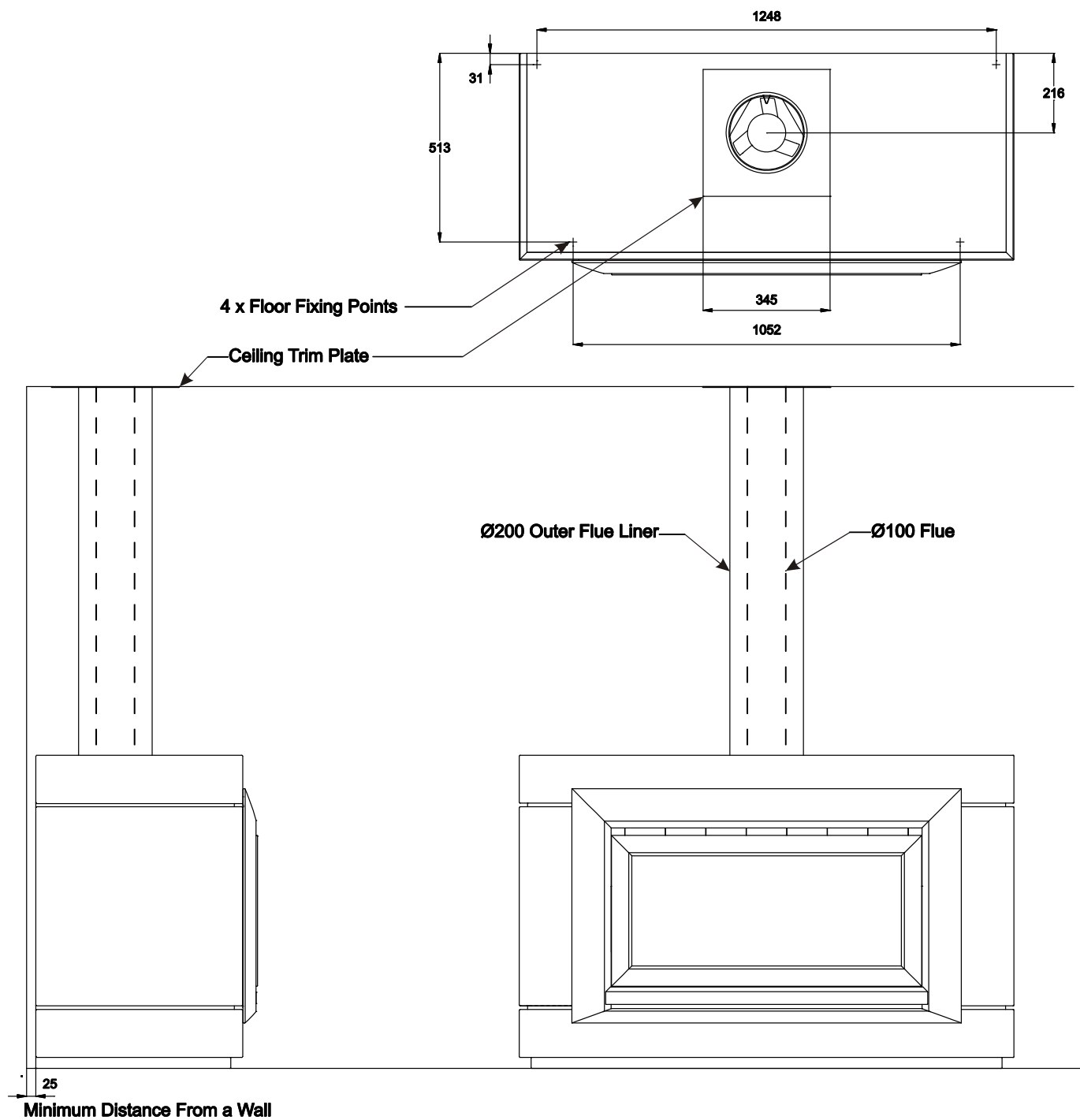
1 x IB850 Free Standing Unit

2 x Ø200mm Outer Flue
(depending on ceiling height)

1 x Ceiling Trim Plate
2 x 100-200mm Spider

Also Ø100mm flue and appropriate liners, flue termination and spiders to suit the height of your individual installation (not pictured)

Some measurements to take into consideration are shown below.



Note: Sealing around the hole in the ceiling and flue terminal is the responsibility of the installer and should be completed in accordance with local regulations

The flue should be connected to the fire in accordance with local regulations based on the following illustration

